



## Wing simulator

Model **W1** : 1 harness with **VR & 6 DOF**  
born from **aeronautical technologie**

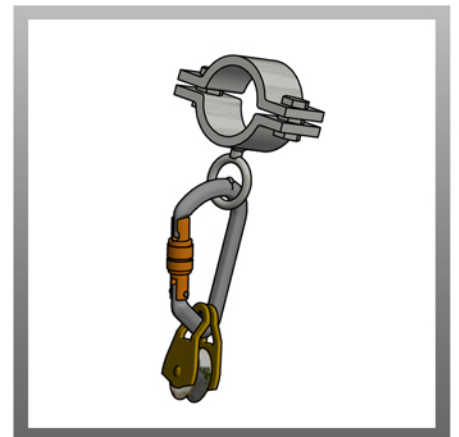
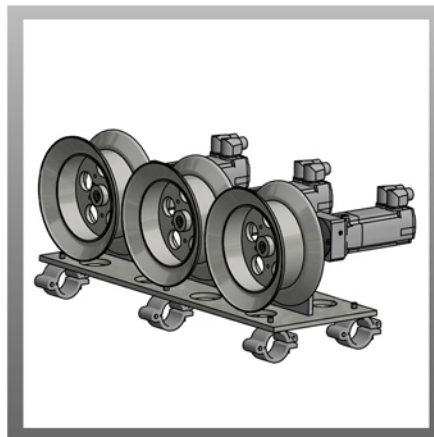
- **6 degrees of freedom**
- **Video and sound : VR glasses**



**Complete immersion  
with breathtaking  
sensations!**

# Data sheet:

Structure	Tubular chassis
Weight	~ 200 kg
Height min. / max.	4000 / 5500 mm
Width	3000 mm
Lenght	3500 mm
Voltage	<b>220V</b> mono ph.
Amperage	3 A
Video/sound	VR glasses
DOF	<b>6 degrees</b> of freedom
Angular travel	$x', y', z' : 80^\circ$
Linear travel	X, Y : 1000 mm – Z : ~ 4000 mm
Acceleration	2G
Max. speed	800 mm/s
Certification	EN 13/814 conformity



Château de FAVEYROLLES  
26700 PIERRELATTE FRANCE  
[www.e6concept.com](http://www.e6concept.com)

