



STand6 simulator

Model **S1** : 1 platform with **VR & 6 DOF**
born from **aeronautical technologie**

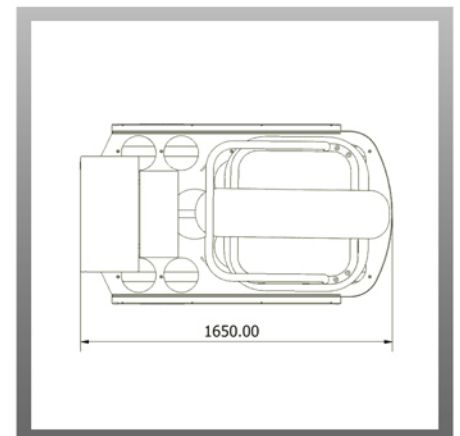
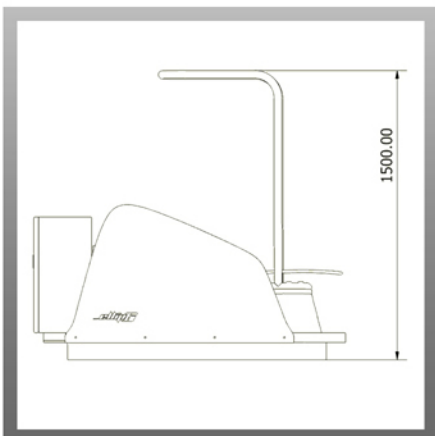
- **6 degrees of freedom**
- **Video and sound : VR glasses**



**Complete immersion
with breathtaking
sensations!**

Data sheet:

Structure	Tubular chassis
Weight	~ 150 kg
Height min. / max.	1500 / 1800 mm
Width	930 mm
Lenght	1650 mm
Voltage	220V mono ph.
Amperage	3 A
Video/sound	VR glasses
DOF	6 degrees of freedom
Angular travel	$x', y', z' : 40^\circ$
Linear travel	X, Y, Z : 300 mm
Acceleration	2G
Max. speed	500 mm/s
Certification	EN 13/814 conformity



Château de FAVEYROLLES
26700 PIERRELATTE FRANCE
www.e6concept.com

